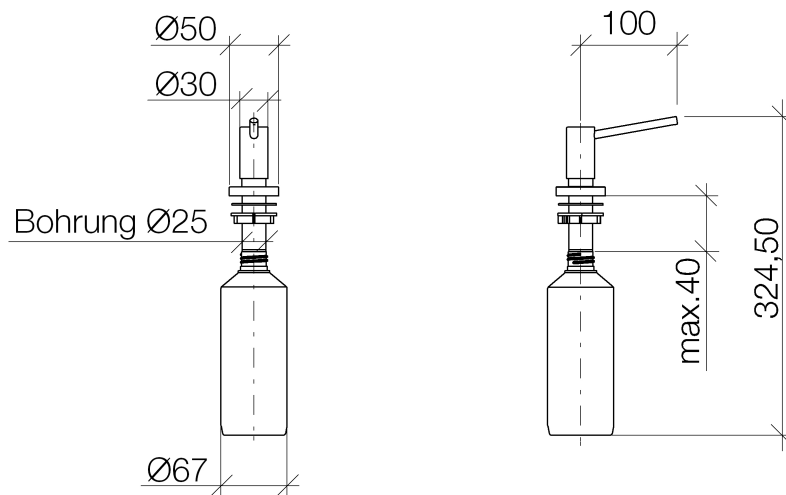
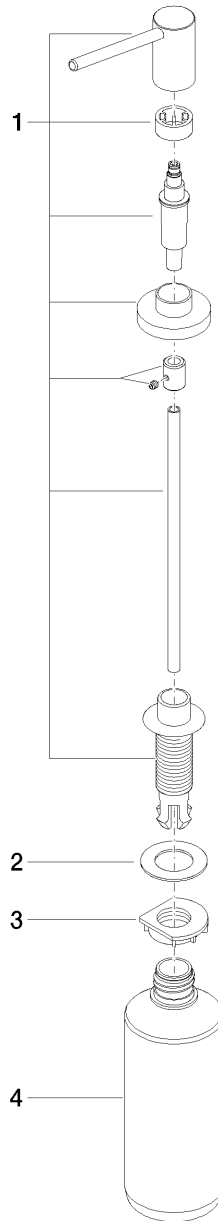


Generic miscellaneous articles Integrated lotion dispenser

Article number: 82435970



Exploded assembly drawing



Generic miscellaneous articles Integrated lotion dispenser

Article number: 82435970



Order quantity

No.	Article number	Name	Installation quantity
1	90101051000ff	dispenser	1
2	08101060990	disc	1
3	08101060890	nut	1
4	08101060090	container	1